

Basic contact information

Company: Zhejiang Sidite New Energy Co., Ltd

Website: www.sidite-solar.com

E-mail: info@sidite.com

Mobile Phone: 0086-18868305896

If you are interested in our products, please contact us!

Integrated Pressurized Solar Water Heater (SP-H)

Integrated pressurized solar water heater belong to pressurized solar water heater.

It has three main features:

A: The water will not flow into the vacuum tubes directly, the system will still work even the tube broken.

B: Anti-freezing, even in extremely cold area.

C: Adopting metal-copper(heat pipe)

Other characteristics and information, please see the details below.



Characteristic:

1,The water will not flow into the tubes directly, the system will still work even the tube broken.

2,With intelligent controller.

3,Anti-freezing, all-year-round service even in extremely cold area.

4,Adopting metal copper(heat pipe)

5, Directly connected with city water without a circulation pump.

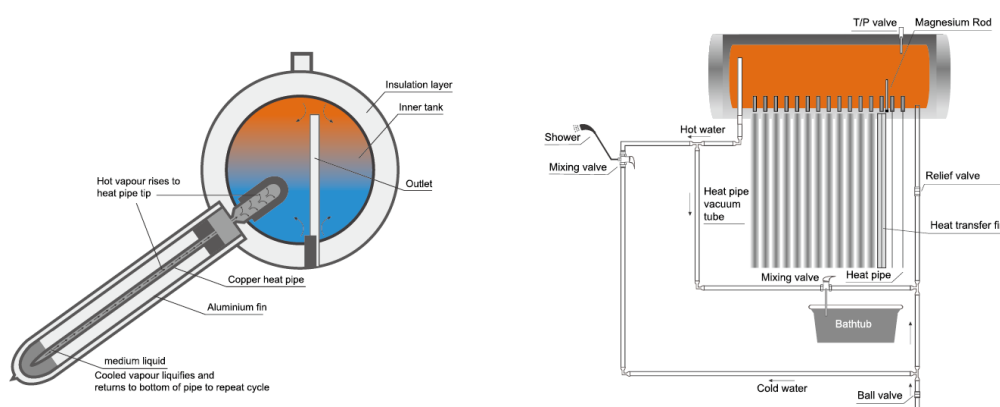
6, Working pressure (0.6MPa)



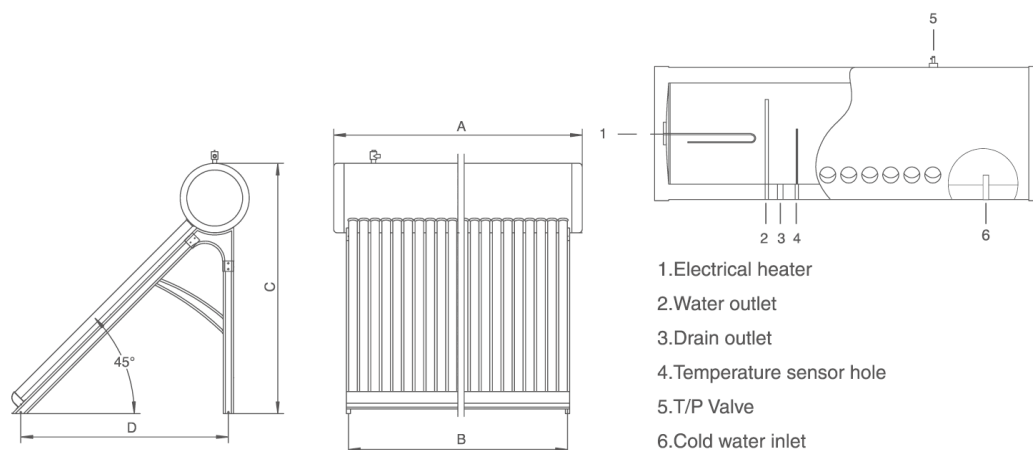
Working Principle:

Integrated pressurized type is a renovation model for solar hot water, which adopts heat pipe technology, combines heat pipe solar collector with pressurized tank to form a compact model.

The vacuum tubes absorb and convert solar energy into thermal energy, and transfer to the central heat pipe via the aluminum fin. The heat pipes have tiny amount of purified water sealed inside at depressurized condition. When heated, the medium inside the heat pipes vaporizes at low temperature, the vapor rises to the condenser and heat energy is conducted to water (inside the tank). When vapor is cooled down, and becomes condensate, falling to the bottom of heat pipe. By continuously circulation in this way, heat is carried from outside to the water inside the tank.



Structure Drawing :



Technical Information:

| Model | SP-H-10 | SP-H-15 | SP-H-18 | SP-H-20 | SP-H-24 | SP-H-25 | SP-H-30 |
|-----------------------------|----------------------------|---------|---------|---------|-------------------------------|---------|---------|
| Tube Quantity (pcs) | 10 | 15 | 18 | 20 | 24 | 25 | 30 |
| Water Tank | | | | | | | |
| Net Capacity (L) | 83 | 120 | 144 | 160 | 190 | 200 | 235 |
| Material Of Inner Tank (mm) | SUS304-2B / SUS316L | | | | | | |
| Material Of Outer Tank | SUS304 / Color Steel Plate | | | | | | |
| Material Of Insulation | Polyurethane | | | | | | |
| Vacuum Tube | | | | | | | |
| Diameter/Length(mm) | Φ58 / 1800 | | | | | | |
| Material | High Borosilicate Glass3.3 | | | | | | |
| Frame | | | | | | | |
| | 2 Feets (Left-To-Right) | | | | 3 Feets (Left-Middle-Right) | | |
| Angle | 45° | | | | | | |
| Item Size | | | | | | | |
| A (mm) | 1010 | 1385 | 1610 | 1760 | 2060 | 2135 | 2510 |
| B (mm) | 735 | 1110 | 1335 | 1485 | 1785 | 1860 | 2235 |
| C (mm) | 1325 | 1700 | 1700 | 1700 | 1700 | 1700 | 1700 |
| C/2 (mm) | — | — | — | — | 892.5 | 930 | 1255 |
| D (mm) | 1055 | 1430 | 1430 | 1430 | 1430 | 1430 | 1430 |

Other Pictures:



