

Basic contact information

Company: Zhejiang Sidite New Energy Co., Ltd

Website: www.sidite-solar.com

E-mail: info@sidite.com

Mobile Phone: 0086-18868305896

If you are interested in our products, please contact us!

Pressurized Double Inner Tanks Solar Water Heater(SD-P)

Pressurized Double Inner Tanks Solar Water Heater belong to pressurized solar water heater.

This product has two tanks, one is non pressurized, the other is pressurized. Suitable water temperature, Big water flow, Rapid heat water, Convenient installation.

Other characteristics and information, please see the details below.



Characteristic

- 1, There are double inner tanks.
- 2, It takes the advantage of the tap water's pressure.
- 3, Completely automatic operation.
- 4, The water can be heated rapidly.
- 5, Use the non-pressurized inner tank as the heat exchanger, simple to install and use.
- 6, Directly connected with city water without a circulation pump.

7, Working pressure(0.6MPa)



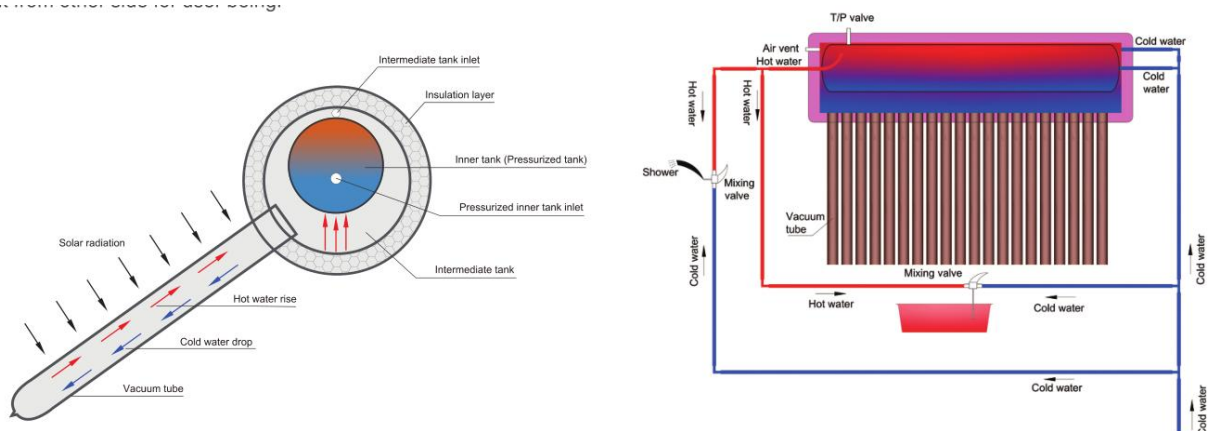
Working Principle

The vacuum tube absorbs the sunlight and turns it into the heat energy, heating the water in the tubes. Depending on the thermosiphon principle, the hot water from the tubes goes into water tank, while the cold water from the tank goes down to the tubes.

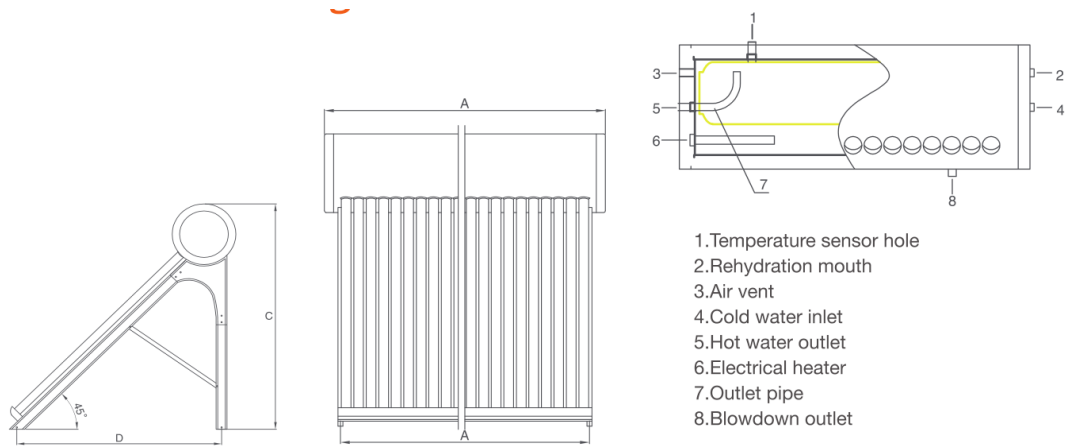
There are double inner tanks, first inner tank is non pressurized, the second inner tank is pressurized.

User do not use the water from the non-pressurized tank directly. the cold water goes into the pressurized inner tank, be heated, then come out from other side for user being.

vacuum tube solar water heater being.



Structure Drawing



Technical Information

Model	SD-P-15	SD-P-20	SD-P-25	SD-P-30
Tube Quantity (pcs)	15	20	25	30
Water Tank				
Net Capacity (L)	130	165	205	240
Gross Capacity (L)	165	215	265	315
Diameter Of Inner/Outer Tank(mm)	Φ360 / Φ470			
Length Of Outer Tank L(mm)	1380	1755	2130	2505
Length Of Middle Tank L(mm)	1290	1665	2040	2415
Length Of Inner Tank L(mm)	1250	1625	2000	2375
Material Of Outer Tank	Color Steel			
Material Of Middle Tank	SUS304			
Material Of Inner Tank	SUS304			
Material Of Insulation	Polyurethane			
Vacuum Tube				
Diameter/Length(mm)	Φ58 / 1800			
Material	High Borosilicate Glass3.3			
Frame	2 Feets (Left-To-Right)		3 Feets (Left-Middle-Right)	
Material	Stainless Steel / Galvanized Steel			
Angle	45°			
Item Size				
A (mm)	1380	1755	2130	2505
B (mm)	1110	1485	1860	2235
C (mm)	1750	1750	1750	1750
C/2 (mm)	---	---	930	1117.5
D (mm)	1600	1600	1600	1600

Other Pictures

