

Basic contact information

Company: Zhejiang Sidite New Energy Co., Ltd

Website: www.sidite-solar.com

E-mail: info@sidite.com

Mobile Phone: 0086-18868305896

If you are interested in our products, please contact us!

Flat Plate Pressurized Solar Water Heater (SP-F)

Flat plate pressurized solar water heater (SP-F), mainly composed of water tank and flat plate. Vacuum tube solar water heater has its advantages, So does flat plate solar water heater. Such as totally copper flow channels achieve low defect rate, 2, easy maintenance, 3, long service life. And SP-F is a pressurized solar water heater, so operation under pressure to ensure comfortable shower water...

Other characteristics and information, please see the details below.



Characteristic:

1. Thermosiphon direct system, easy piping work, higher efficiency.
2. Intelligent control, automatic water filling.
3. Reliable electric back-up with protection against dry heating and thermal cut-out.
4. Pressurized water tank with SUS304-2B inner tank, good at anti-corrosion.

5.Operation under pressure to ensure comfortable shower water.

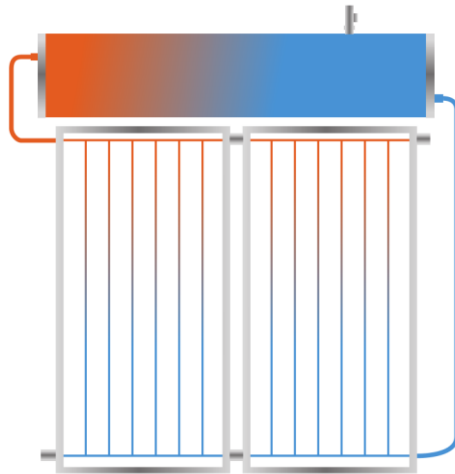
6.Polyurethane layer foaming insulation for keeping temperature of water.

7.Totally copper flow channels achieve low defect rate and easy maintenance, long service life.

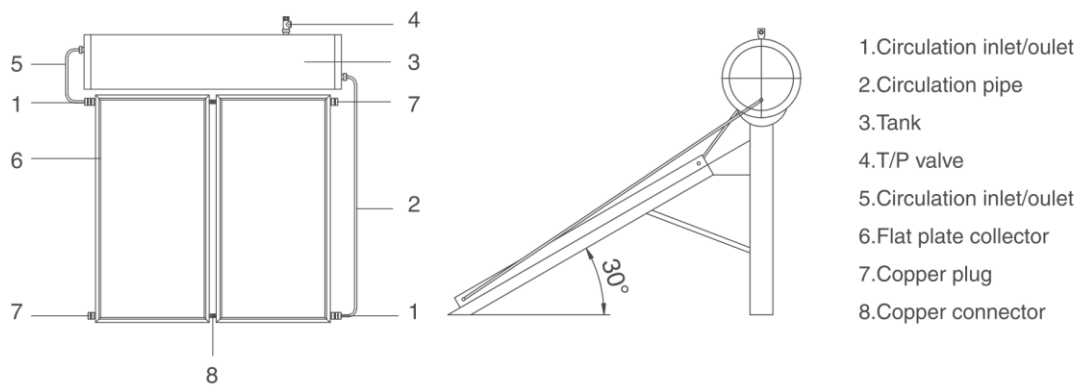


Working Principle:

Under normal operating conditions the potable water within the potable storage tank is heated by the solar collectors. For example, in an close circuit system where the household hot water is in the collector circuit, cold water is pushed downwards via the long external pipe from the storage tank to the bottom of the solar collector. As the water is heated in the absorber by the sun, it rises to the top of the collector then travels through the short external pipe into the storage tank.



Structure Drawing :



Technical Information:

Model	SP-F-150A	SP-F-200A	SP-F-300A	SP-F-150	SP-F-200	SP-F-300
Flat Plate Quantity (pcs)	1	1	2	1	1	2
Installing Type	Flat Roof / Pitched Roof					
Water Tank						
Water Tank Net Capacity (L)	150	200	300	150	200	300
Inner Tank Material	SUS304					
Outer Tank Material	Color Steel Plate / Stainless Steel Plate					
Thermal Insulation Material	Polyurethane					
Rated Pressure	0.6mpa					
Flat Plate Solar Collector						
Dimensions (mm)	2000 X 1000 X 80					
Film	Black Chrome / Blue Film					
Material	Color Steel Plate / Galvanized Steel					

Other Pictures:

